

TNM Programmer

7000 (Universal)

7000E (Universal + ECU-KIT)

User Manual

For ECU-KIT software manual please refer to TNM ECU-KIT manual.
ECU-KIT software only runs on Model 7000E , Programmer Software (this manual)
runs on both Model 7000 and 7000E.

TNM Electronics Ltd.

www.TnmElectronics.com

Contents

1. System Requirements.
2. Software Setup.
 - Installation from the TNM Website.
 - Installation from CD-ROM.
 - Driver Installation Problems.
3. Utility Software Installation.
 - TNM Nand Programmer Installation.
 - Serial Port Emulator Installation.
4. Hardware Review.
5. Software Review.
 - Main Screen.
 - Menu & Toolbar.
 - Software Shortcuts
6. IC Insertion in ZIF.
7. Copying a chip.
8. Gang Programming.
9. Adaptors

1. Minimum System Requirements:

- A desktop or laptop computer with Intel Pentium or an equivalent processor.
- Windows XP / Vista / 7 / 8 / 10 and Windows 11 operating system.
- At least 1 GB free space on your hard drive, for Nand Chips , 1GB+ Nand Capacity
- At least one standard (USB 2.0) connector.

2. Software Setup

You can install your software either from the CD-ROM or by downloading the program from our website. Instructions for both methods are described below.

NOTE: Do Not Connect The Programmer to The Computer USB before Software Installation!

Installation from TNM Electronics Website

You can download the software at : <http://www.tnmelectronics.com/UpdateProgrammer.html>

For first time installation download Setup.Zip . For upgrading a previously installed software , download and run Upgrade file.

NOTE: For future Upgrades you can click on Upgrade link inside the software from menu help/About.

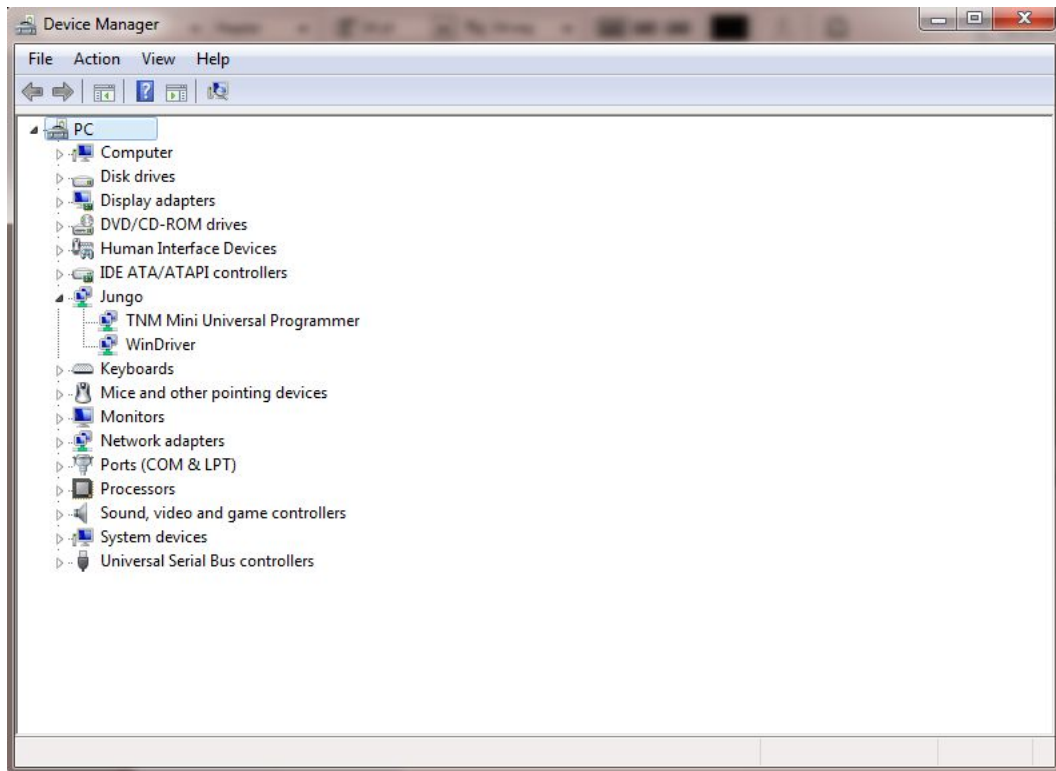
Installation from CD-ROM

1. Insert the CD into the CD-ROM drive.
2. Autorun program will be started automatically, Select "Universal Programmer" or "ECU-KIT" If the setup program does not start automatically, run SETUP.EXE located in the CD.

After Running SETUP.EXE , The system displays a dialog box , Press the Next button ,then in the next box, you can change the default installation path (Not Recommended), Then press Next Again and at the end, Press Finish. After the software installation, please connect the USB cable to the programmer and your PC.

Driver Installation Problems:

Normally after connecting TNM programmer to the USB, you must see your device in the Windows Device manger like this:



If you couldn't see your device under Jungo tree or if there is a yellow or red warning sign, right click on the device name and select "Update Driver Software" . Then select "Browse My Computer for driver software" then find the correct path for driver, which usually is "C:\Program Files\TNM\Programmer\Wdreg" .

You Can Also delete the driver & then select reinstall the Driver option form Start Menu while the USB connector is disconnected.

If above instruction dosen't work , please copy wdreg folder from Program Files\TNM\Programmer to root of drive C and run C:\ Wdreg \TNMDrvInstall.exe

3. Utility Software Installation:

Here is the list of default companion utility software. Check our website for future software.

TNM Nand Programmer: Nand flash memories (memories for flash disks, MP3 Players & Digital cameras) can only be programmed by this software. Install this program from installation menu or from "CD-Drive:\Nand Programmer\Setup.exe" . After the installation you can read instruction manual by pressing the Help button.

Serial Port Emulator: Please copy the contents of the "Serial Port Emulator" folder in the CD-ROM to your favorite location in your hard disk, then run Serial.exe . Your TNM-7000 programmer will emulate a serial port, then you must install the serial port driver from "Serial_DRIVER" folder.

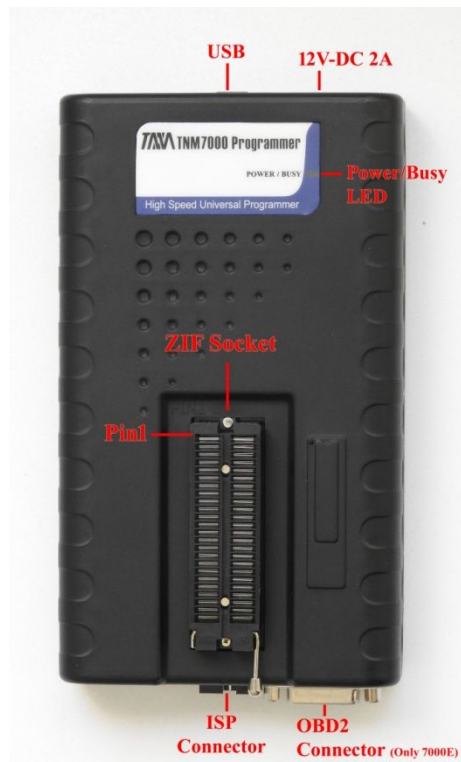
Then by connecting the ISP cable of programmer directly to RX/TX pins of microcontrollers , you can program them by many free ISP softwares like Atmel Flip or ST-Flasher.

You will find more information in Serial.exe software helps.

CAN-BUS Analyzer (**only in 7000E**): Please copy the contents of this folder in the CD-ROM to your favorite location in your hard disk, then run CAN_ANALYZER.exe . Press Start to monitor data on pin CANH, CANL of 7000E OBD connector. You can filter data by message ID or activate ISOTP standard. Select passive for spying on CAN bus.

Note: Before Using the Utility Programs, you must install TNM Programmer Software first. ([part2](#))

4. Hardware Review:



LED Indicator:

LED is Off: Programmer is in Sleep mode and no 12V external power is connected.

LED is Green: 12V power is connected but programmer is in sleep mode or no USB is connected.

LED is Red: Programmer is active by USB and no 12V external power is connected.

LED is Yellow: Programmer is active by USB and 12V external power is connected.

LED is blinking in RED: USB is busy , no 12V external power is connected.

LED is blinking in Yellow: USB is busy , 12V external power is connected.

ZIF Socket: Pin 1 of all devices must be aligned to the pin 1 of the ZIF socket. It's a 48 pin ZIF Socket.

Power Connector: This is an auxiliary power connector and normally it's not necessary. If in the software you got a warning message because of low USB voltage, Connect the 12v-2A power supply.

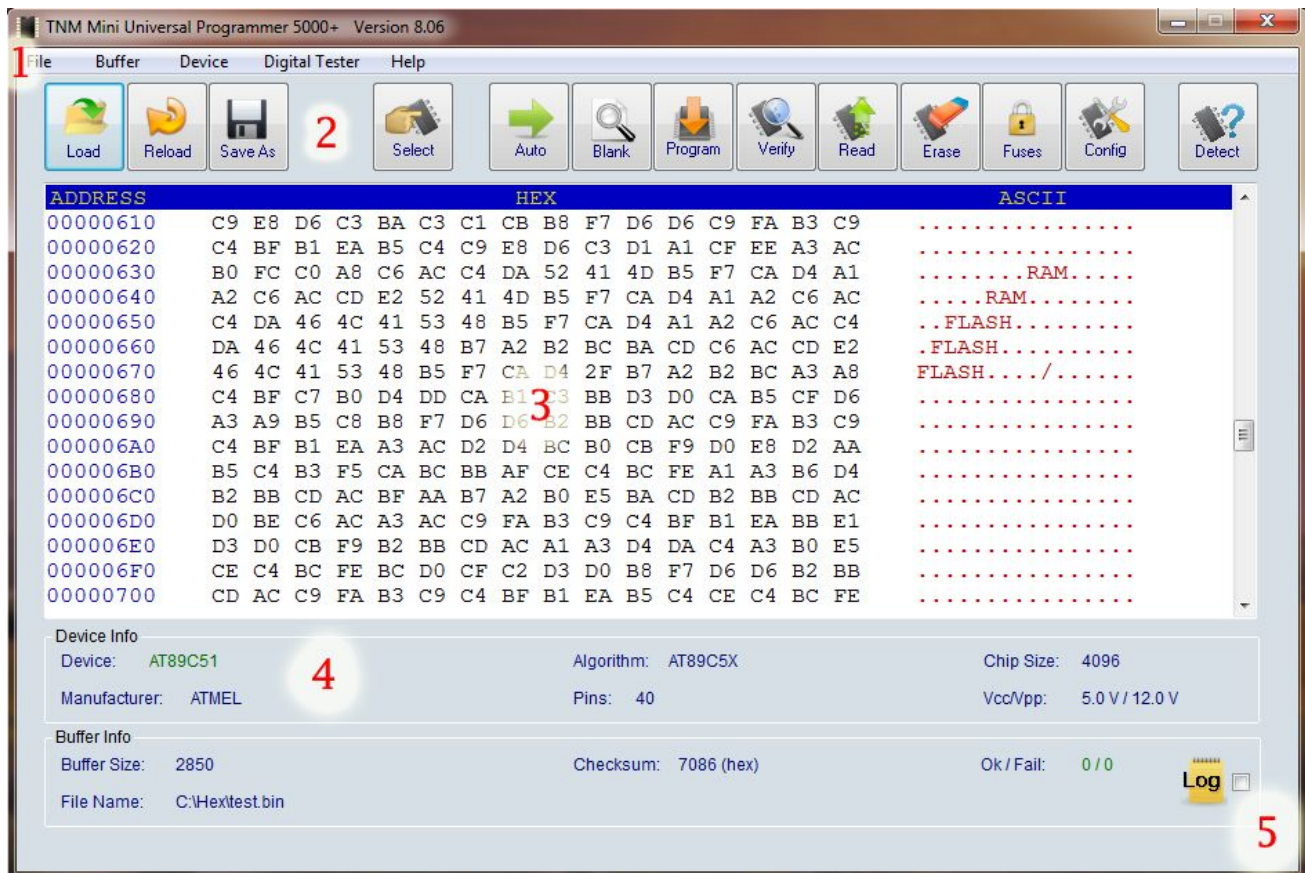
ISP Connector: See connector map from the "Help\User Manual\ISP Connector Pinout" Menu.

OBD2 Connector: it's only available in model 7000E . See connector map from the "Help\User Manual\ISP Connector Pinout" Menu.

. Software Review:

Main Screen

The main screen is illustrated below. Each part is labeled with a number and described below.



1. The **Main Menu** provides access to the File, Buffer, Device, Digital Tester and Help menus. Refer to the [Menu & Toolbar](#) section or more information.
2. The **Toolbar** includes icons for quick access to common functions. Refer to the [Menu & Toolbar](#) section or more information.
3. The **Hex-Editor** Window, Including the **Address**, **Hex Values** and **ASCII Values**. The buffer contents are showed in here. You can double-click in there for editing the stored values.
4. The Information area, Shows you the Selected device name, Programming algorithm, the selected device chip size (total programmable memory of the selected device in bytes) , The selected device Manufacturer and Pin numbers, Vcc is the voltage for the device supply, Vpp is the device programming voltage. Buffer size is the size (in bytes) of the loaded or read data into the buffer. Checksum is the 16-bit checksum of the loaded or the read data into the buffer. OK/Fail is the number of successful or failed actions. File Name is the last loaded file name into the buffer.
5. Check **Log** icon to switch to log window. A history of user actions will be shown instead of **Hex-Editor**. Also last action always is displayed at bottom of screen.

Menu & Toolbar:

1. File Menu

a. Load: For loading a file to the buffer and show it by hex editor. The supported file types are: binary (bin), Intel Hex (hex), Xilinx Cpld jedec file (jed), Xilinx FPGA bit file (bit), Serial Vector File (svf) , Atmel EEPROM file (eep) & Altera Jam file . After loading a SVF file all the actions except the SVF player button will be disabled. You can also Drag & Drop files to programmer window.

b. Reload: For reloading a previously loaded file.

c. Save: For saving the buffer contents to the current file.

d. SaveAs: For saving the buffer contents to a file.

e. Setup: For customizing the software. The available options are:

- Notify me ... : Select this item for the notification at the end of an action.
- Warning message ... : During the device programming If this item is checked and buffer size is greater than device size , a message box will warn you.
- Auto Detect Device ... : If the selected device is not identical to the device under program, the programmer automatically will identify the device. *(If the device has an ID)*.
- Continue When ... : If this item is checked, Programming will be done even when the Device ID is not present.
- Show device info ... : If this item is checked, after selecting a device from the list, specific device information will be shown.
- Ask me before ... : Check this item to prevent accidental file overwriting during file saving.
- Disable Sounds: For silence mode.
- Disable Alt ... : Turns off ALT hotkey running in other programs.
- Ask before Erase ... : Always ask your permission to erase a device.
- Pin Connection ... : Pin continuity tester on/off
- Auto Backup ... : If this item is checked, after every reading from a device , a backup file is created in windows [Documents](#) or [My Documents](#) Folder. Files are named automatically after Device names and read time. Uncheck if you have low disk space.
- Chip Power Supply ... : You can increase or decrease VCC of chips during read or write about %5 more or less.
- ISP Delay Time: Use this item to slow down ISP clock speed for low MCU clocks.
- Clock out: Selecting the frequency of clock on ISP pin 4.

f. Language: List of available user interface languages.

g. Recent Files: list of the last recent opened files for fast loading.

h. Save/Load All Setting: For saving & restoring all software settings including the selected chip , the loaded file, software setup and all chip fuses . Every user can save his or her working project and then restore it.

g. Exit: To exit the programmer software.

2. Buffer Menu

a. Edit Enable: For enabling the hex editor edit mode. Also you can double click on the hex-editor window to enable it.

b. Fill: For Filling the buffer from the start to the end address with a value.

c. Swap Bytes: For swapping two consequent bytes to convert from Little Endian format to Big Endian.

d. Search: For finding a text or hex string in the buffer.

e. Copy: For copying a part of buffer to another place in the buffer or clipboard.

f. Properties: Only available for specific devices to program and verify a part of a device.

g. Jump: Jumping to an address in the buffer.

h. Auto Serial Number: You can specify a part of the buffer with arbitrary size and an increment factor, the initial value of this buffer point will be increased every time you press AUTO key.

i. Calculator: If Buffer Edit is Enabled , Calculator starts with number (8-32 bits) from current cursor position in buffer or Zero If Buffer Edit is Disabled. By **"Reset Base"** you can select length of input number to 8,16,24 or 32 bits. This calculator can run 'C' language scripts written by user. This is very useful for calculating some values from the buffer or changing numbers in the buffer. All files with ".c" extensions which are located in the installation folder will be listed under **"Formula"** list box in calculator . Refer to example c sources which we supplied in your installation folder for more information. If Buffer Edit was enabled , you can insert output results back into the buffer.

j. Reset OK/Fail Counter: Resets the OK/Fail counter value to zero.

3. Device Menu:

a. Erase: For erasing the device memory contents.

b. Blank Check: For Checking the device is blank or not.

c. Program: For transferring buffer to the device memory. If the buffer size is greater than the device memory, only the first part of the buffer with a size equal to the device memory will be transferred. Programming will be done with verification. For programming the MCU devices with internal EEPROM, Size of the buffer must be equal to sum of the FLASH memory and EEPROM.

- d. **Read:** For reading back the device contents to the program buffer and the hex editor window.
 - e. **Lock bits and Fuses Programming:** For transferring the lock bits and fuse bits value to the device.
 - f. **Fuse & Lock Configuration:** For setting fuse bit values. After setting these values you can transfer them to the device (refer to part 3.e)
 - g. **Read MCU EEPROM:** In microcontrollers with internal EEPROM you can read EEPROM contents to the start of the buffer.
- Note: This is different With Read (3.e) option. By Read button all the flash and EEPROM will be read and be copied to the buffer in order and EEPROM data are placed after flash data.
- h. **Write MCU EEPROM:** Like part 3.g.
 - i. **Verify MCU EEPROM:** Like part 3.g.
 - j. **Auto:** Automatic sequence of actions. Use "Edit Auto" to edit the sequence.
 - k. **Edit Auto:** You can check sequence of actions for a device. For mass device programming, check "detect Insertion & repeat" item and after the end of Auto sequence just replace the device. The programmer automatically will sense the device insertion and repeat the auto sequence.
 - l. **Select:** For selecting a device from a list.
 - m. **Recent Selected Devices:** List of the four recent selected devices for fast device selection.

4. Digital Tester Menu

- a. **Test IC:** For testing a TTL/CMOS device from a list. You can add a vector test to the list file in LIB\TESTLIB.TXT.
- b. **Detect IC:** For matching the result of an unknown device vector test with the list file. The programmer can only find devices within the list.

5. Help Menu

- a. **Programmer SelfTest:** You can check programmer internal circuit by this option.
- b. **Selected Device Info:** If there is any info available about the selected device, an information box will be opened.
- c. **User Manuals:** Showing this manual and ISP Connector pinouts.
- d. **About:** You can get some info about the product and there is an Upgrade Link in this window.

6. Detect Button

The programmer search its database for all detectable chips and show you a list of matched devices. Your device must have an internal manufacturer ID to be detectable. i.e Serial EEproms & Eeproms haven't IDs and are not detectable.

Software Shortcuts:

Keyboard Shortcuts:

ALT+A: Auto Sequence Programming

ALT+E: Erase

ALT+B: Blank Check

ALT+R: Read

ALT+P: Program

ALT+S: Select

ALT+F: Fuse bit Programming

ALT+L: Load a file

ALT+Z: Save a file (Save As)

F3: After first search in buffer , for next item finding.

Mouse Shortcuts:

Drag a **file** from any folder & drop on Hex Editor window to load a file

Double Click on **Hex editor** window to enable editing.

Right Click on **Hex editor** window to open Buffer Submenu.

Right Click on **Log** window to open Log Submenu.

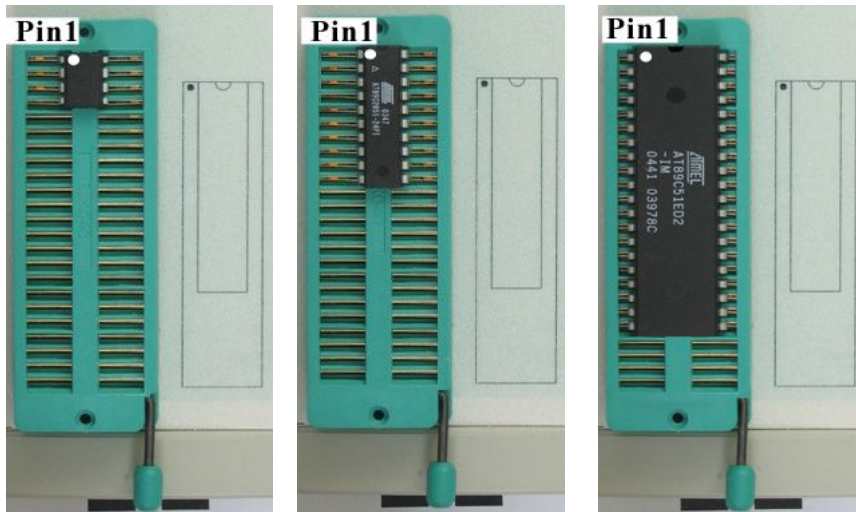
Right Click on **Select** button in main screen to show selected device information box.

Right Click on **Auto** button in main screen to show Edit Auto window.

Double Click on **OK/Fail** text in main screen to reset OK/Fail counter.

6. IC Insertion in ZIF:

Pin1 of the all Chips must be inserted in the topmost place of the programmer ZIF socket. Only there is a few exceptions, which you will be informed by software.



Pin 1 of the chips is specified with a round hole or a Wedge.



You must place SMD chips in adaptors according to the mentioned rule too.



7. Copying a Chip:

To copy a chip, first insert the source chip & press the button Read, if you want to copy a microcontroller, after that press Config button and press read button inside the config window.

Then insert your destination chip & after erase press the Program button. Next press the Verify button to check programmed contents. For microcontrollers , press Config button & press Write inside the config window.

Note1: If your microcontroller is locked, it can't be copied.

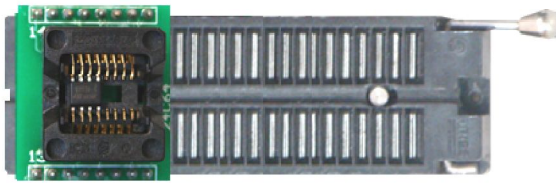
Note2: Some Chips are one time only programmable, Check your chip datasheet before programming.

Note3: Some Eprom Chips can't be erased by programmer, You need a UV lamp to erase these kind of chips.

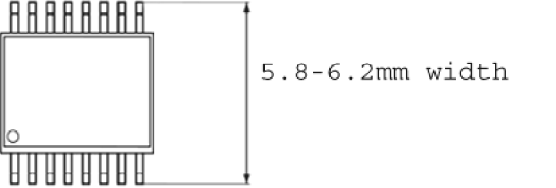
8. Gang Programming:

You can connect two or more programmers to one PC and run instances of programmer software for each hardware. In Auto mode if "detect Insertion & repeat" option is checked, you can program devices in parallel and without necessity for software manipulation.

11. **Adaptors:** For adapting chips with packages other than DIP. Some adaptors Protel PCB can be downloaded from: <https://www.tnmelectronics.com/downloads/Adaptors.zip>

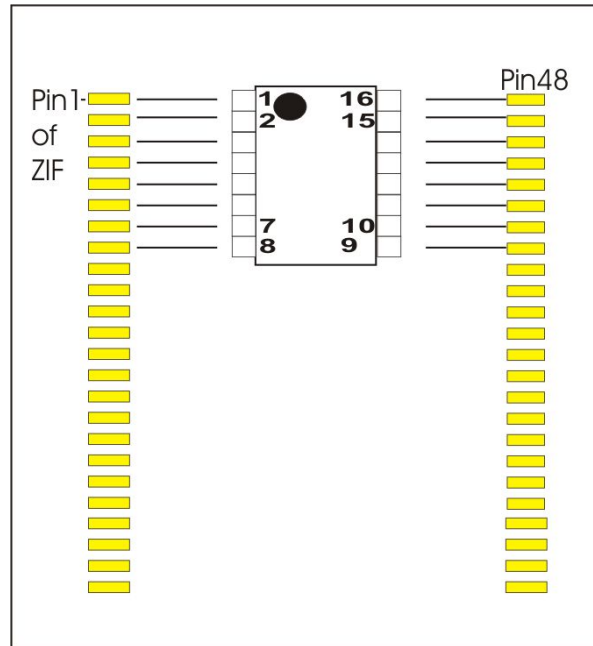


Adapter Model: 516S2-150
 For 8-16 Pins SOP/SOIC-150 chips



5.8-6.2mm width

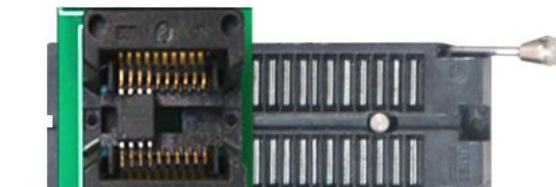
All pins are connected one by one.



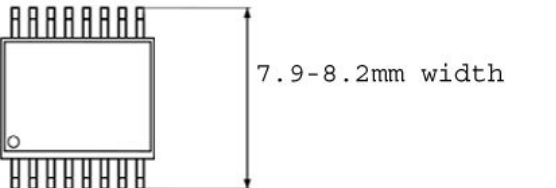
Adaptor Model: 516S2-150 Chip Body=150 mil(milli Inch) =4mm

Package Names for 8 Pins : SOIC8 , SOIC8-150 , 8S1 , JEDEC SOIC 8 Pin , SOP 8L

Examples: Most Serial EEPROMS (24C16 , 93C46 , 95080) , Some Serial Flashes (MX25L1021E)

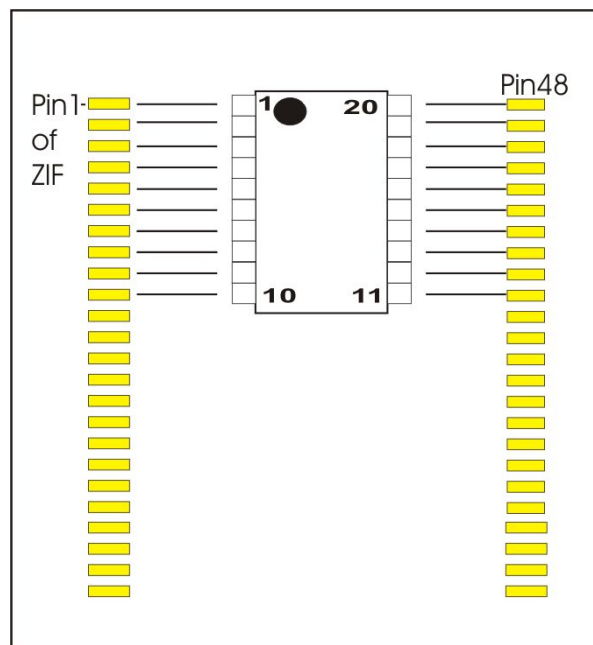


Adapter Model: 520S2-200
 For 8-20 Pins Sop/Soic-200 chips



7.9-8.2mm width

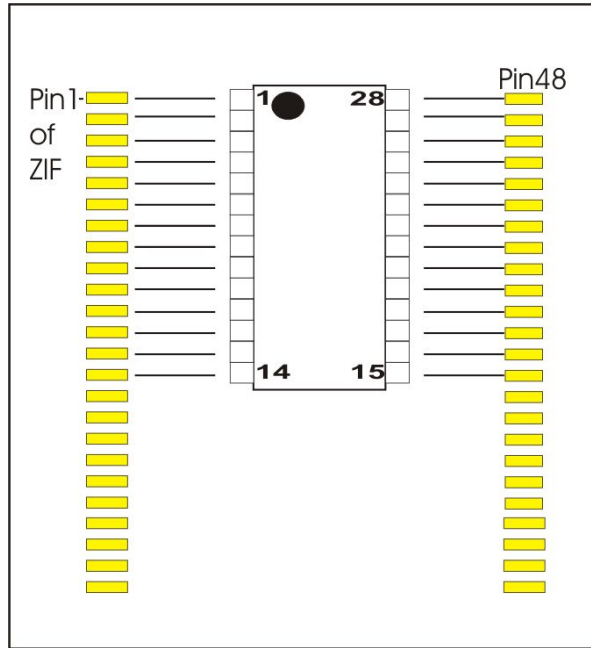
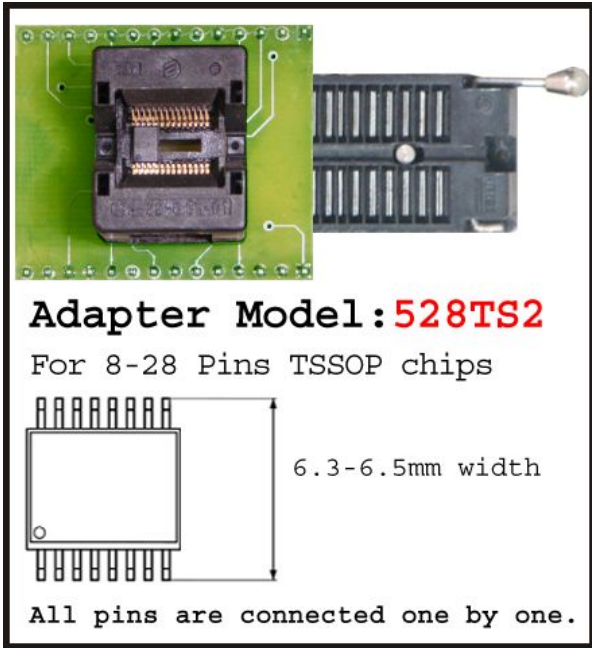
All pins are connected one by one.



Adaptor Model: 520S2-200 Chip Body=200 mil(milli Inch) =5.2mm

Package Names for 8 Pins : SOP8L-200 , SOIC8-200 , 8S2 , EIAJ SOIC 8 Pin ,SOP200

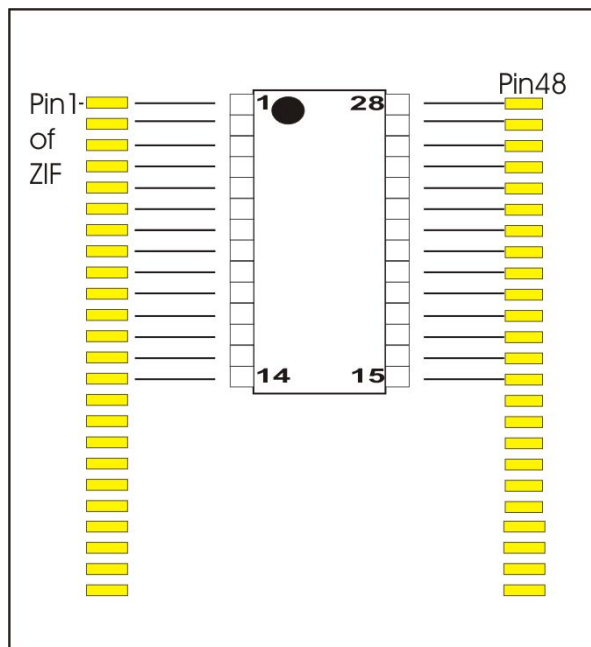
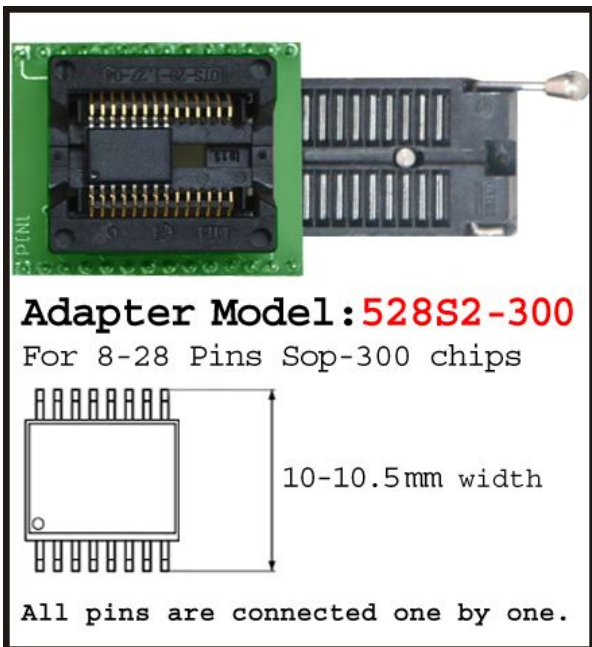
Examples: Serial Flashes (MX251025,AT45DB081D,EN25T80) , Some MicroControllers (ATTiny25)



Adaptor Model: 528TS2 Chip Body=170 mil(milli Inch) =4.4mm

Package Names for 8 Pins : TSSOP8, 8A2 , 8X ,

Examples: Serial EEPROMS (CAT24C08Y,24AA32) , ATTINY25

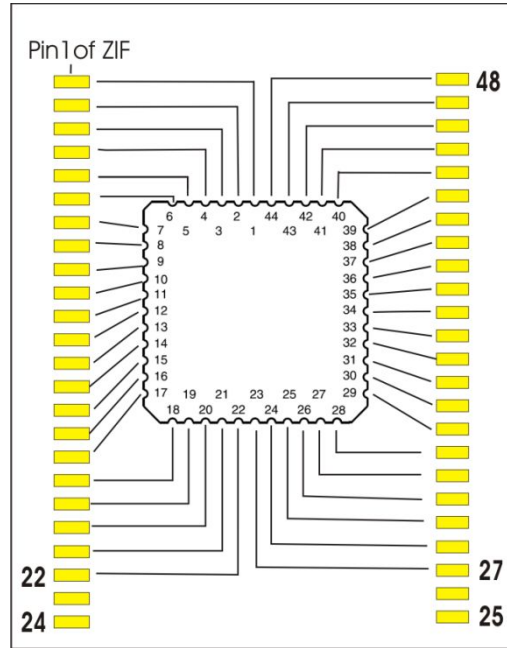
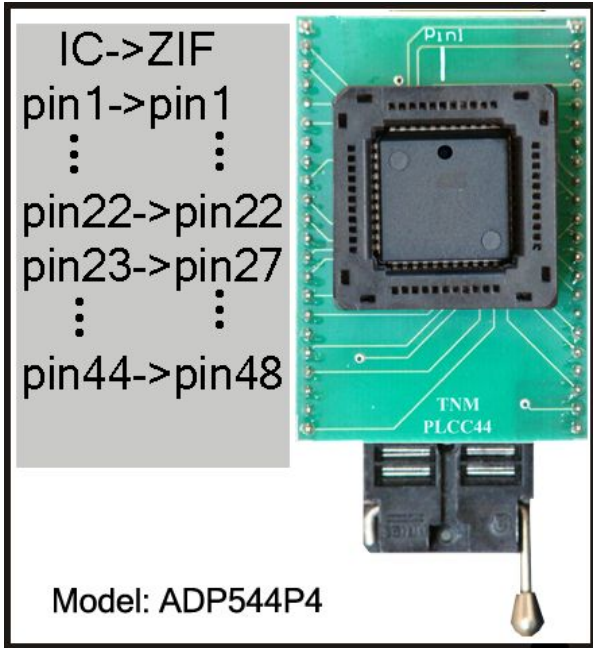


Adaptor Model: 528S2-300 Chip Body=300 mil(milli Inch) =7.5mm

(in model 2000 you need special PCB for bottom plate for 25Cxx 16-pin serial flashes ,wiring is different from picture)

Package Names for 16 Pins : SOP16L-300 , 16S2

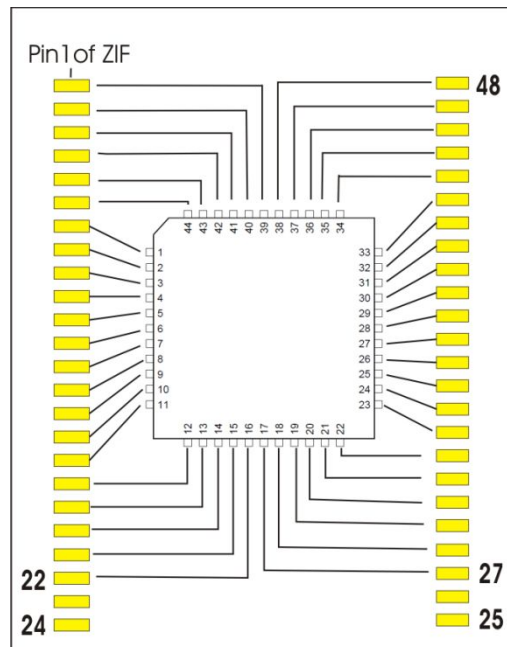
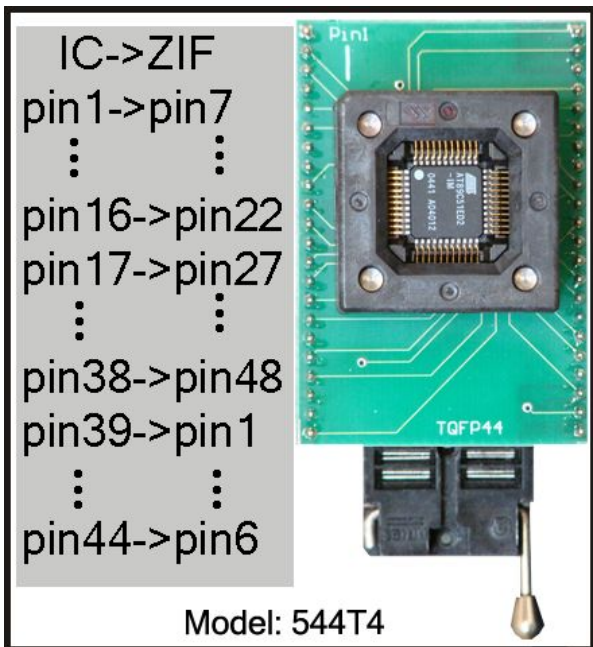
Examples: EN25Q32, AT25HP512



Adaptor Model: ADP544P4 Chip Body=16 x 16mm

(in model 2000 you need special PCB for bottom plate, for 44 to 40 pin conversion , wiring is different from picture)

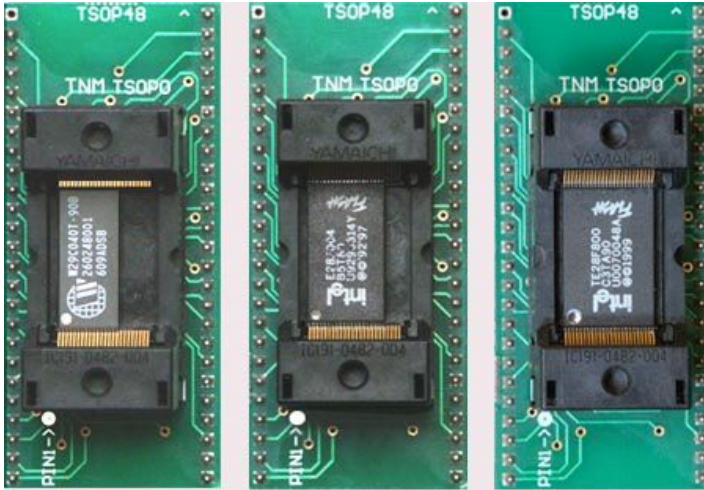
Examples: AT89C51 – SST89C54 – AT29C1024



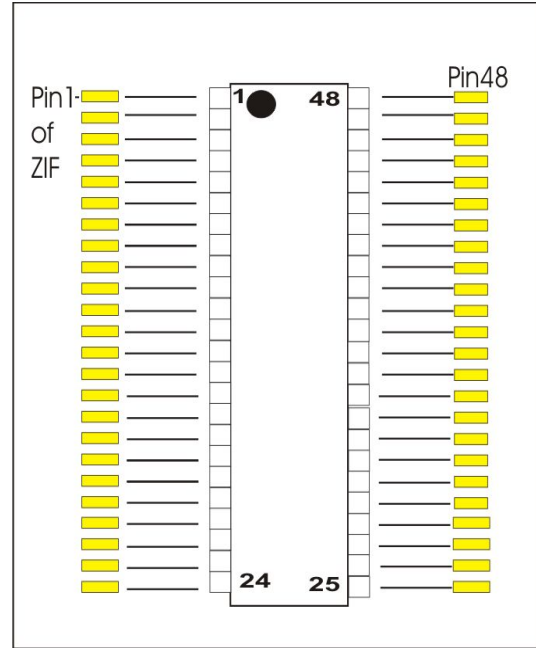
Adaptor Model: ADP544T4 Chip Body=10 x 10mm

(in model 2000 you need special PCB for bottom plate, for 44 to 40 pin conversion , wiring is different from picture)

Examples: AT89C51ED2 –ATMEGA16/32



32 pins 40 pins 48 pins
 All 32/40/48 Pins TSOP Type1 (20mm)
 are programmed by Economic Adaptor
 Model **ADP548T2**



Adaptor Model: ADP548T2

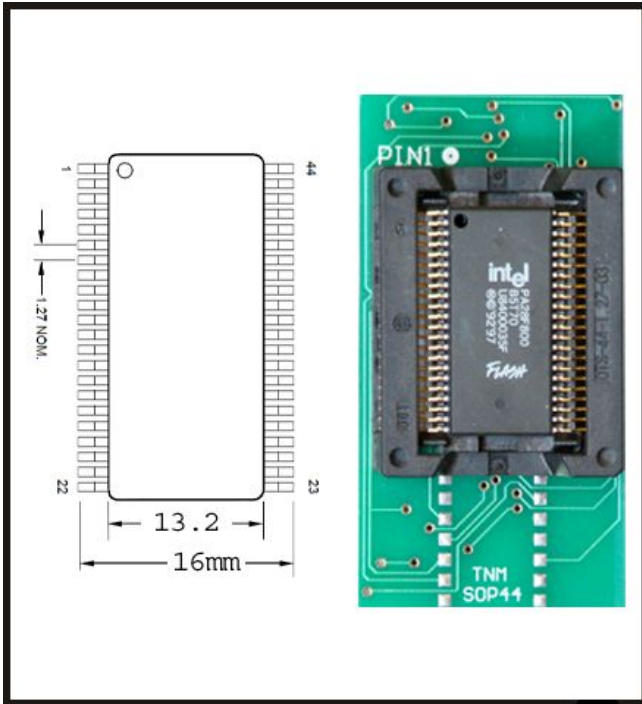
- TSOP32: Body 8 x 18.5 mm Examples: AT29C040 – AM29F002 (Bottom PCB TSOP3 is needed in model 2000+)
- TSOP40: Body 10 x 18.5 mm Examples: MX29LV004 – TE28F008 (Bottom PCB TSOP5 is needed in model 2000+)
- TSOP48: Body 12 x 18.5 mm Examples: AT29F400BB – S29AL016 (Bottom PCB TSOP1/2 is needed in model 2000+)



All 56 Pins TSOP Type1 (20mm) Can be
 programmed by Economic Adaptor Model
ADP556T2 with different bottom plates.

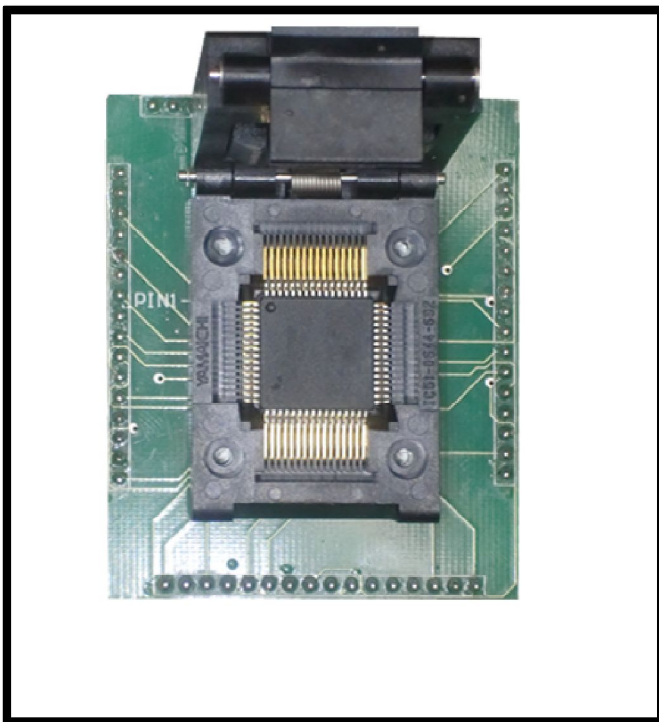
Adaptor Model: ADP556T2

- Bottom Plate 561: 29GL032-29GL064-29GL128-29GL256-29GL512 (order code: 561-2000 in model 2000+)
- Bottom Plate 562: Intel 28F160-28F320-28F640 (order code: 562-2000 in model 2000+)
- Bottom Plate 563: Intel P30 /P33 (not available in model 2000+)



Adaptor Model: SOP44

Examples: AM29F400BB - PA28F004

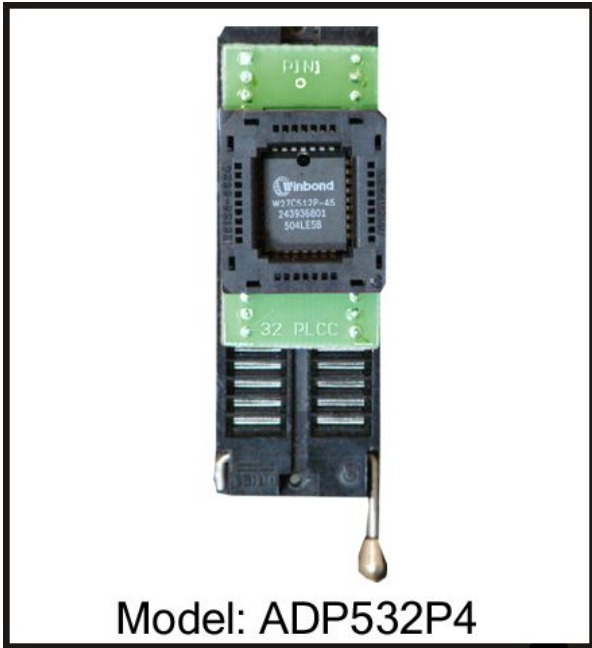


Adaptor Model: 564T4

Package: TQFP64 Body= 14 x 14 mm pin to pin pitch=0.8 mm

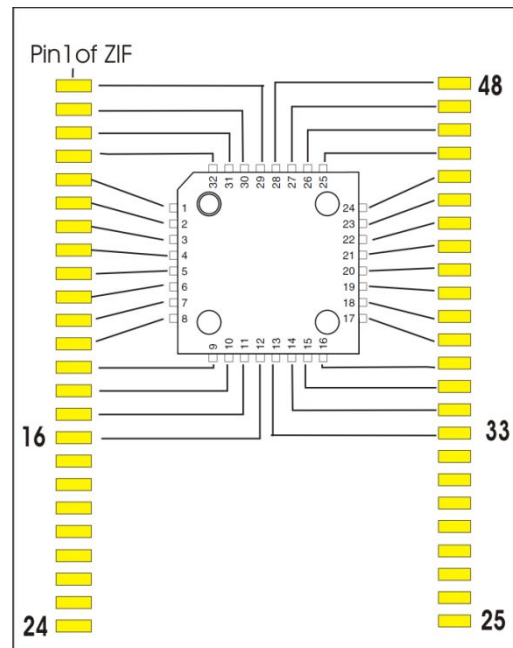
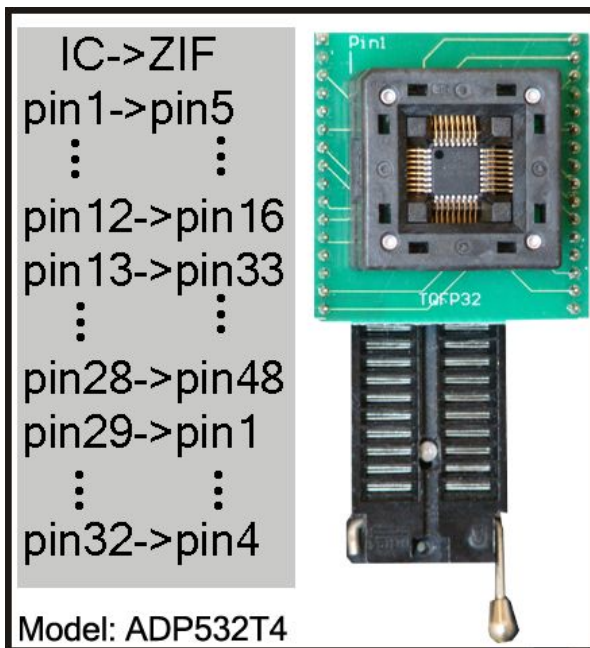
(in model 2000+ for ATMEL 64 pin (atmega) series , Special PCB for bottom plate is needed & Motorola-64 pin series are not supported)

Examples: ATMEGA64 – ATMEGA128 – ATMEGA2560 – AT90CAN – 68HC908AZ32 -68HC908AS32



Adaptor Model: ADP532P4 Chip Body=14 x 11.5mm

Examples: AT29C040 – AM29F010 – AT49LH002



Adaptor Model: ADP532T4 Chip Body=7 x 7mm

(in model 2000+: Special PCB (ATMEGA-TQFP32) bottom plate is needed , wiring is different from picture)

Examples: ATMEGA8 – ATMEGA48 – ATMEGA88 – ATMEGA168 – ATMEGA328